

# Antenna, Puck

## ERF4012

### Description

The ERF4012 Antenna is a black 1,6 GHz GPS antenna with a RG174 cable attached and SMA (Male) connector. The RG174 cable enables it to be placed and positioned at its most suitable position. The RG174 cable has a total length of  $\pm 5$  meter. The antenna can be used for applications, such as GPS and GLONASS.



### Technology

- GPS
- GLONASS
- Satellite phones



### Features

Electrical Properties	Description		
Frequency marker	Frequency band MHz	Return loss dB	V.S.W.R.
1	1.200	-19.7	< 1.2
2	1.575	-25.6	< 1.1
Nominal Impedance	50 $\Omega$		
Polarization	Linear		

# Antenna, Puck

## ERF4012

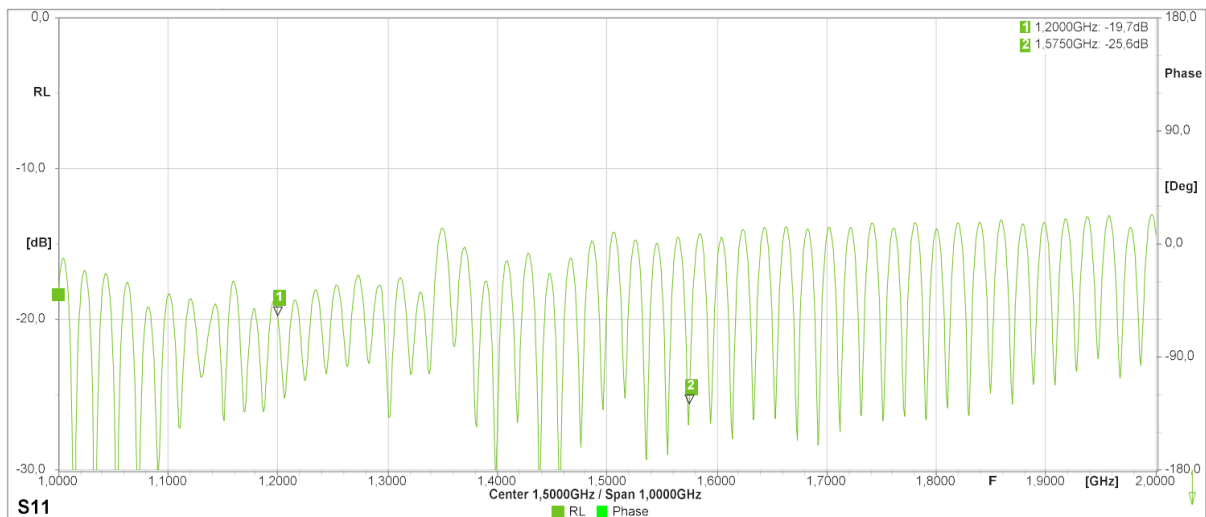
### Mechanical Properties

### Description

Antenna	External Antenna
Connector	SMA (Male)
Dimensions	34.3 * 39.4 * 12.6 mm
Color	Black
Operating Temperature	-20°C~+60°C
Storage Temperature	-30°C~+70°C
Cable Type	RG174
Cable Length	5 meters

### Antenna Properties

#### Return Loss

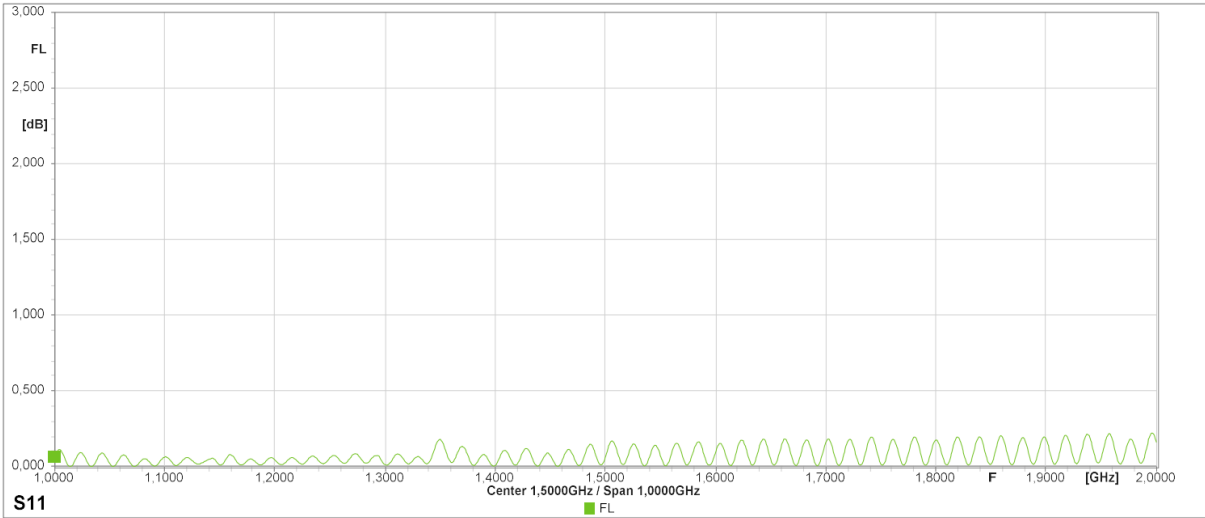


# Antenna, Puck

ERF4012



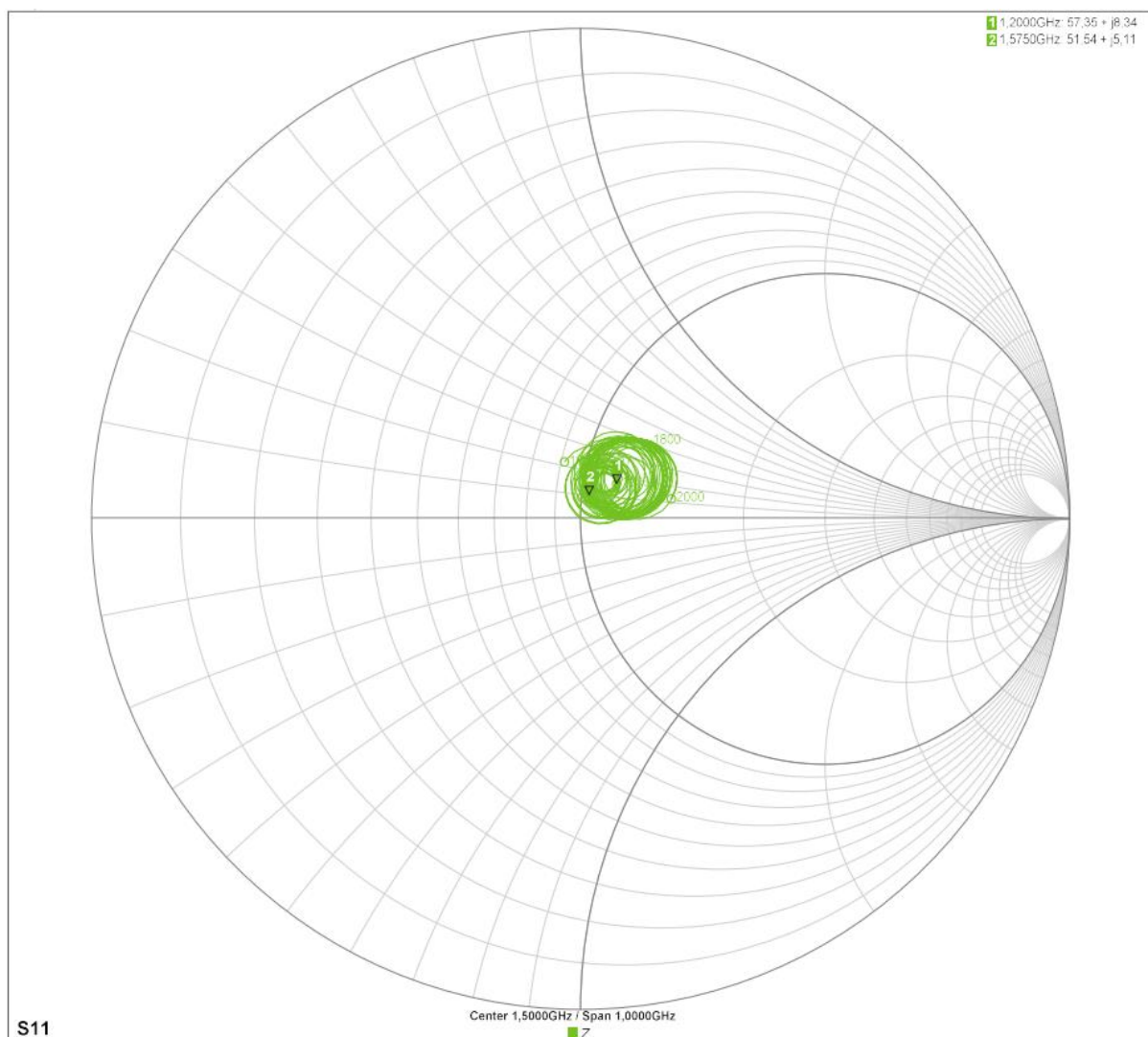
## Forward Loss



# Antenna, Puck

ERF4012

## Impedance

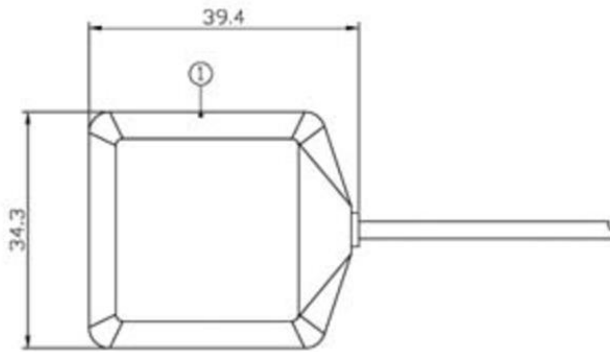


# Antenna, Puck

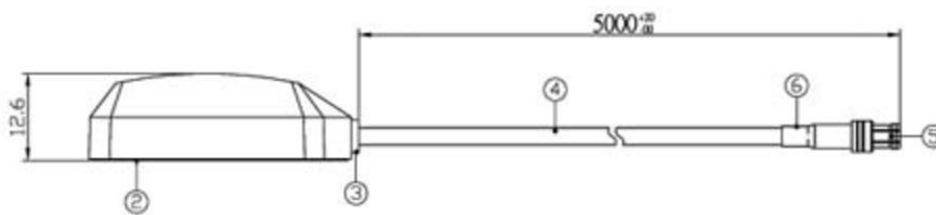
## ERF4012

### Dimensions

\*Unit: mm



NO.	NAME	FINISH	Q. TY
01	Top cap	Black	01
02	Sticker	Silver	01
03	Waterproof o-ring	Black	01
04	RG-174 /U Cable	Black	01
05	MCX 180°(Male)	Golden plating	01
06	Heat-shrink tube	Black	01



### Connector



SMA Male



SMA Female



RP-SMA Male



RP-SMA Female

The ERF4012 antenna uses the SMA Male connector.

### Ordering information

Ordering can be done via [www.summit-electronics.com](http://www.summit-electronics.com) or via [info@summit-electronics.com](mailto:info@summit-electronics.com). Please contact us for more information. Customisation of the product is available on request.

### Technical support

For all product questions please contact us via [info@summit-electronics.com](mailto:info@summit-electronics.com)

Document revision

Rev	Date	changes
V01.00	06-04-2023	First issue of document